



GIA GEM TRADE LABORATORY

New York Headquarters
580 Fifth Avenue | New York, NY 10036-4794
T: 212-221-5858 | F: 212-575-3095

Carlsbad
5355 Armada Drive | Carlsbad, CA 92008-4699
T: 760-603-4500 | F: 760-603-1814

COLORED DIAMOND GRADING REPORT

GIA REPORT 13937346

November 22, 2004

Shape and Cutting Style HEART BRILLIANT
Measurements 9.20 x 9.87 x 4.88 mm
Weight 2.60 carat

Proportions

Depth 49.4 %
Table 64 %
Girdle MEDIUM TO THICK, FACETED
Culet NONE

Finish

Polish VERY GOOD
Symmetry GOOD

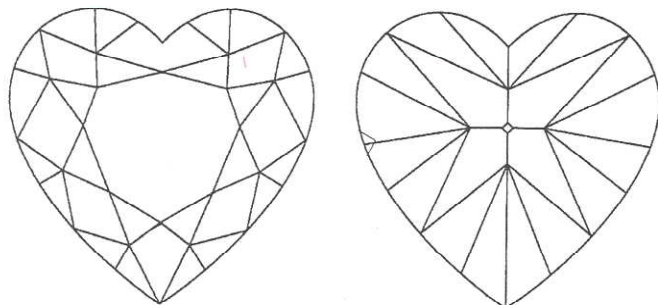
Clarity Grade VS1

Color

Origin NATURAL
Grade FANCY LIGHT
..... PINK-BROWN
Distribution EVEN
Fluorescence NONE

Comments:

Internal graining is not shown.



KEY TO SYMBOLS

- Feather
- Extra Facet

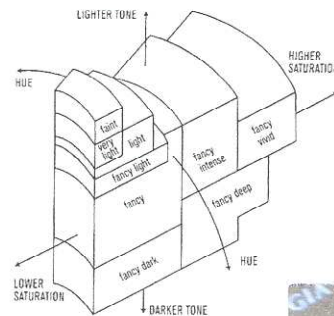


GIA CLARITY SCALE



GIA COLORED DIAMOND SCALE

In association with GIA
fancy color grade
internal characteristics



This Report is not a guarantee, valuation or appraisal. This Report contains only the characteristics of the diamond described herein after it has been graded, tested, examined and analyzed by GIA Gem Trade Laboratory under 10X magnification, and/or has been inscribed, using the techniques and equipment available to GIA Gem Trade Laboratory at the time of the examination and/or at the time of being inscribed, including fully corrected triplet loupe and binocular microscope, master color comparison diamonds, standardized viewing environment and light source, electronic carat balance, high intensity short wave fluorescence imaging system, optical measuring device, micro laser inscribing device, ProportionScope[®], ultraviolet lamps, millimeter gauge, additional visual color comparators, spectroscope, Illuminator Polariscope[®], immersion liquids, ultraviolet-visible and infrared spectrometers, X-ray fluorescence spectrometer, gamma-ray spectroscopy systems, beta radiation scintillation detector, radiation survey meter, X-ray luminescence equipment, and ancillary instruments as necessary. Red symbols denote internal characteristics (inclusions). Green or black symbols denote external characteristics (blemishes). Diagram is an approximate representation of the diamond, and symbols shown indicate type, position, and approximate size of clarity characteristics. All clarity characteristics may not be shown. Details of finish are not shown. The recipient of this Report may wish to consult a credentialed Jeweler or Gemologist about the importance and interrelationship of cut, color, clarity and carat weight.



IMPORTANT DOCUMENT, STORE SAFELY

The security features in this document, including the hologram, security screen, microprint lines and chemical sensitivity, in addition to those not listed, exceed document security industry guidelines.

NOTICE: IMPORTANT LIMITATIONS ON BACK